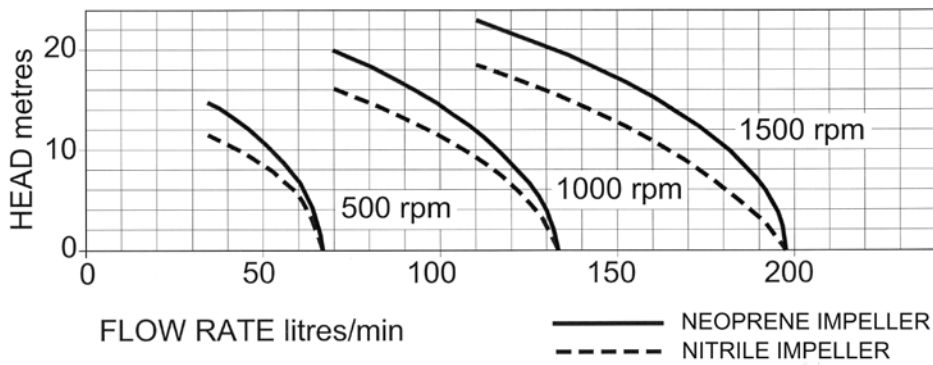


PERFORMANCE:

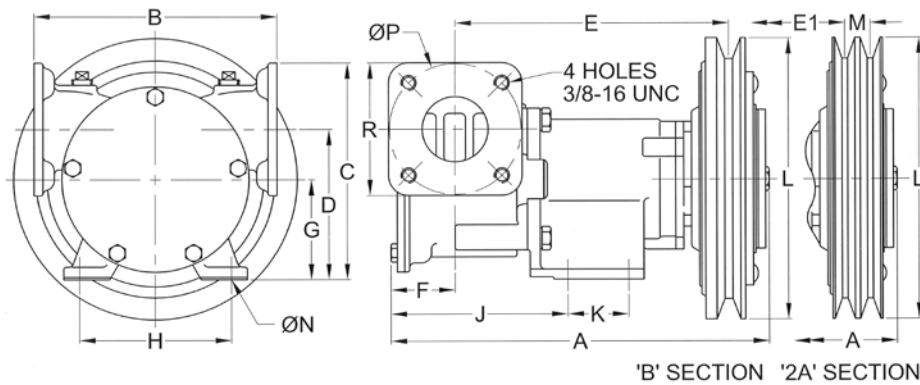


MODEL	Maximum flow rate		Maximum head	
	l/min	gall/min	metres	feet
50220-0**1	195	43	23	75
50220-0**3	195	43	18	59

Max Power absorbed 1800 watt at 1500rpm

DIMENSIONS:

WEIGHT: 11.2Kg



A	B	C	D	E	E1	F	G	H	J	K	L	M	N	P	R
237	152	137	95	172	174	40	64	95	111	38	Ø178	15.8	Ø10	Ø82.6	84

MATERIALS OF CONSTRUCTION:

Body	Bronze head, Cast Iron bearing housing
Impeller	Neoprene or Nitrile
Wearplate	Replaceable
Shaft	Stainless steel type 316
Shaft seal	Mechanical, Carbon-Ceramic
Bearings	Twin single row, ball type
Port type	1½" Flanged
Clutch type	Electro-magnetic 12v or 24v dc
Pulley	178mm dia A or B section

MODELS:

- 50220-0011 Flanged ports, 12v 2A groove, Neoprene Impeller
- 50220-0111 Flanged ports, 24v 2A groove, Neoprene Impeller
- 50220-0211 Flanged ports, 12v 1B groove, Neoprene Impeller
- 50220-0311 Flanged ports, 24v 1B groove, Neoprene Impeller
- 50220-0003 Flanged ports, 12v 2A groove, Nitrile Impeller
- 50220-0103 Flanged ports, 24v 2A groove, Nitrile Impeller
- 50220-0203 Flanged ports, 12v 1B groove, Nitrile Impeller
- 50220-0303 Flanged ports, 24v 1B groove, Nitrile Impeller



a xylem brand

**BRONZE FLEXIBLE
IMPELLER ELECTRO
MAGNETIC CLUTCH**

50220 SERIES



**PUMP with
1½" FLANGED PORTS**

- * Constructed from marine quality bronze and stainless steel
- * Self-prime from dry up to 2.4m
- * Easy to service and maintain
- * Will tolerate abrasive wear
- * Handles hard and soft solids without clogging
- * Can pump in either direction
- * Will not airlock

Xylem Water Solutions UK Ltd
Bingley Road
Hoddesdon
Hertfordshire • EN11 0BU UK

Tel: +44 (0)1462 480380
Fax: +44 (0)1462 482422
mail@cleghorn.co.uk
www.jabcoshop.com

